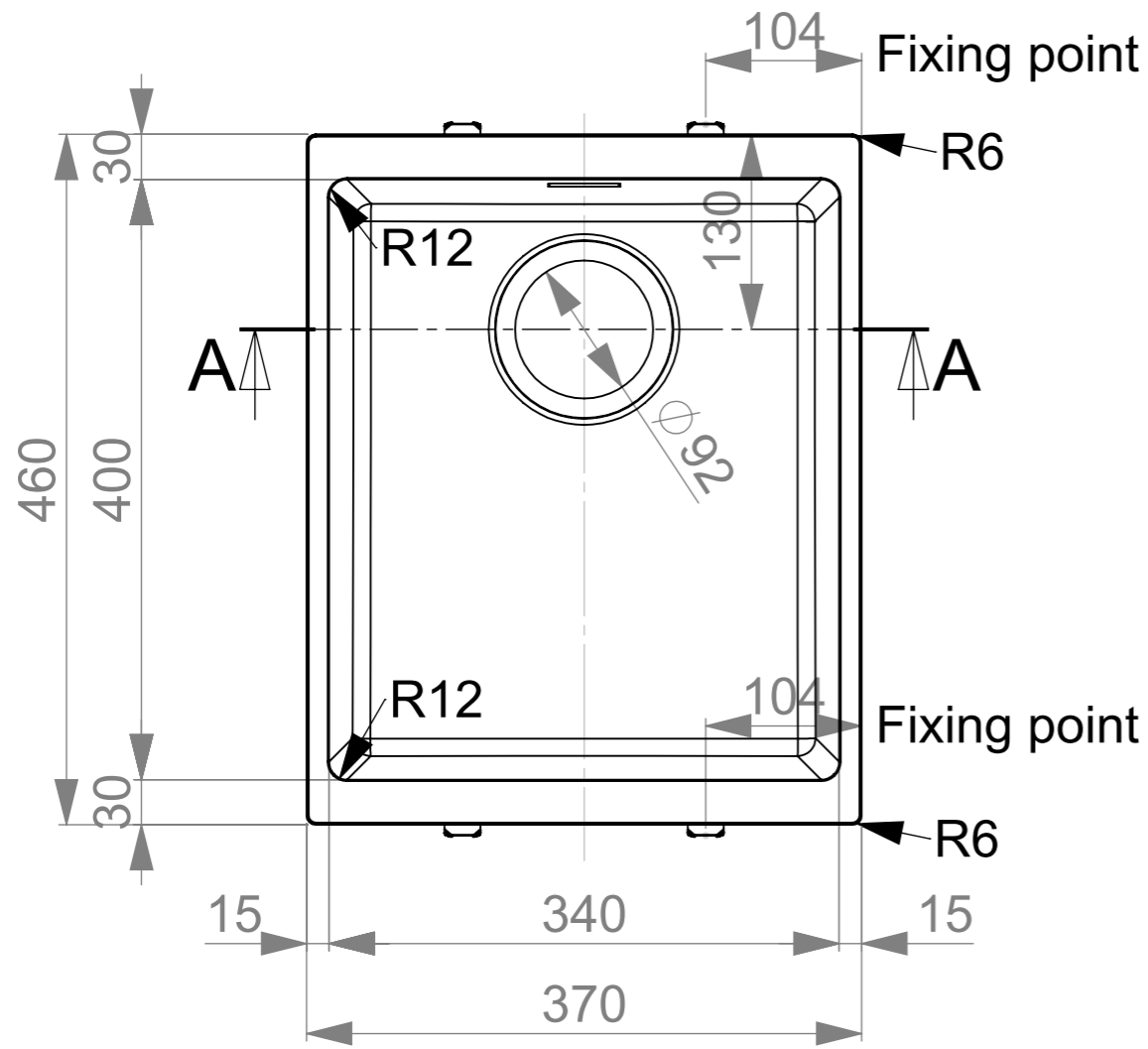
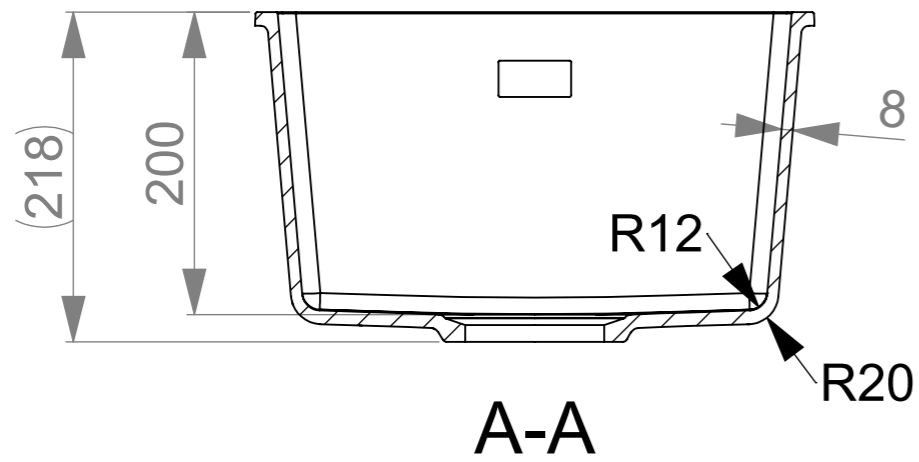
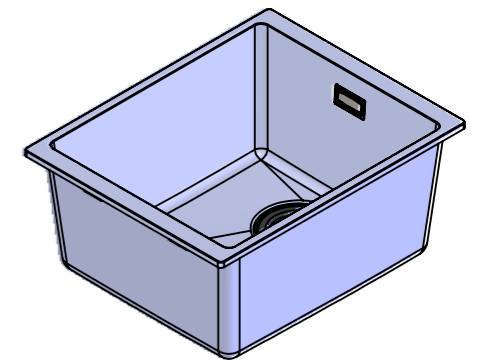
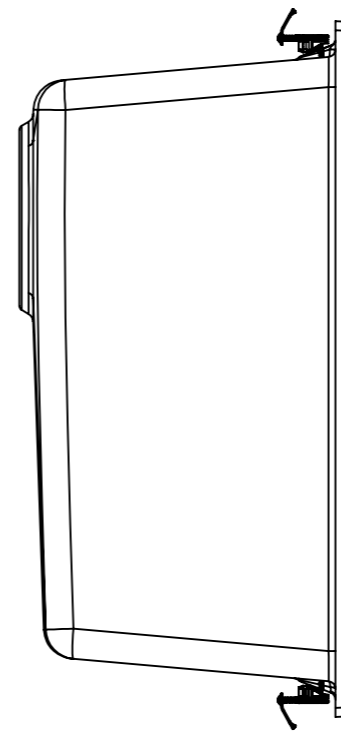



MAIN DIMENSIONS

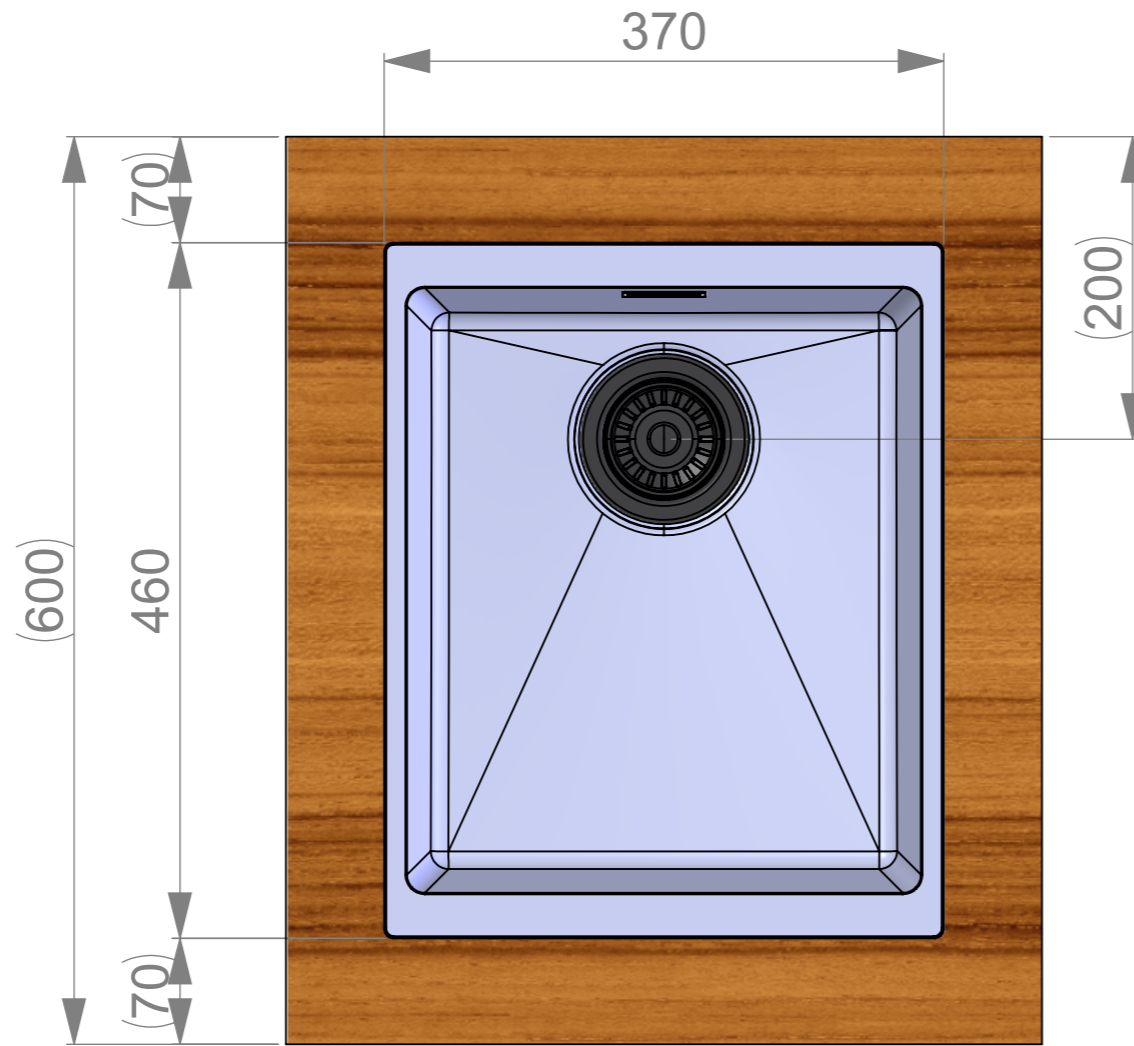


Change description	Date	Designed by
--------------------	------	-------------



 Member of ALVEUS	Mass kg	General tolerance Item	Designed by VS	Date 27.12.2022
	Size A3		Scale 1:5	Approved by VS
Description CEG-E34B Technical Data Sheet			Drawing number 19572	Sheet/sheets 1/6 Rev A

WORKTOP ASSEMBLY

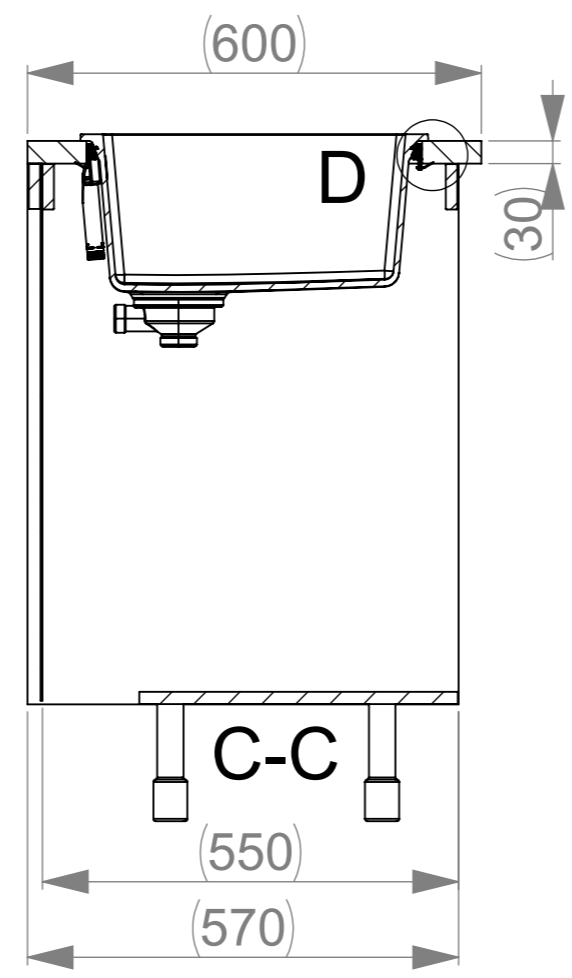
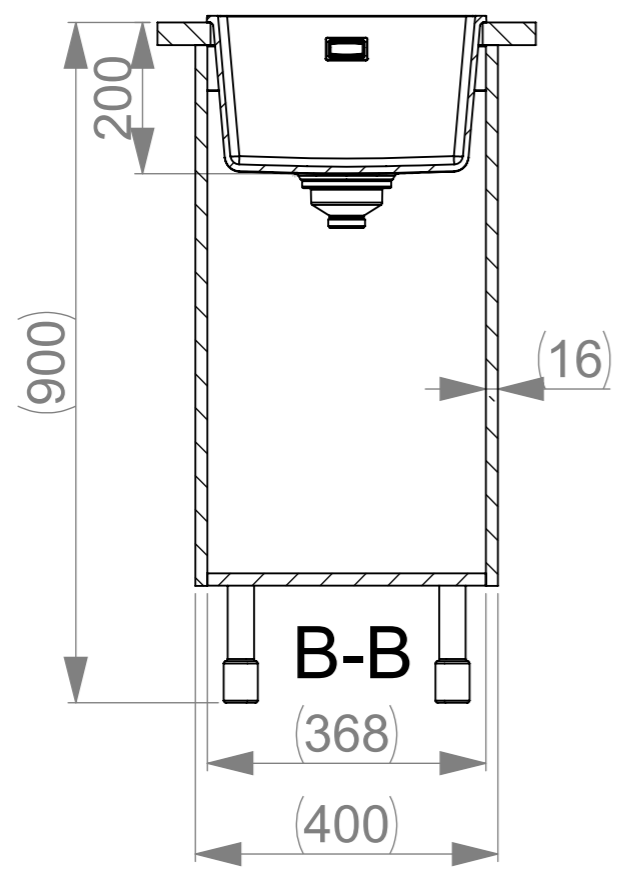


Change description	Date	Designed by
--------------------	------	-------------

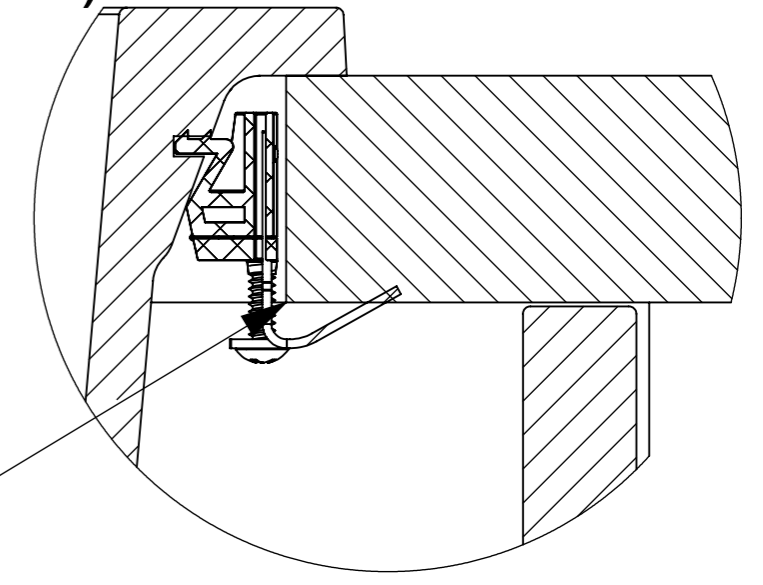
	Mass	kg	General tolerance	Designed by	Date
	Size	Scale	Item	VS	27.12.2022
 STALA Member of ALVEUS	A3	1:5	Description CEG-E34B Technical Data Sheet	Approved by	Date
				VS	20.01.2023
			Drawing number	Sheet/sheets	Rev
		19572	2/6	A	

Change description	Date	Designed by
--------------------	------	-------------

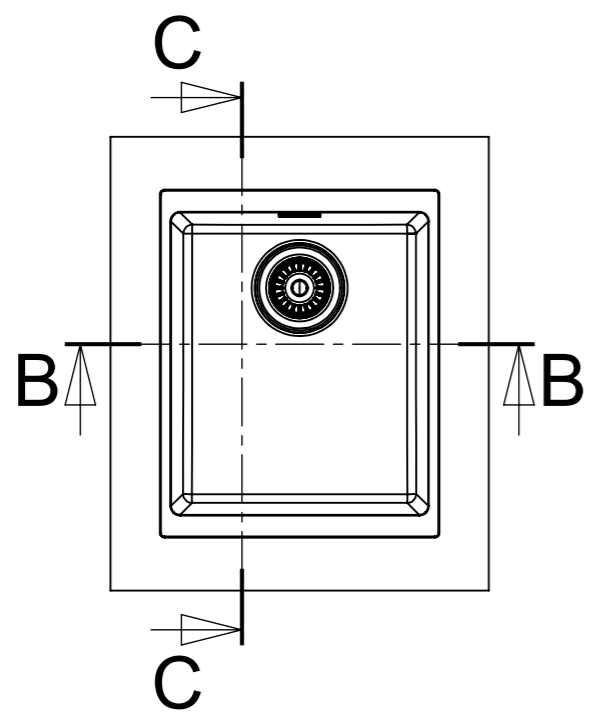
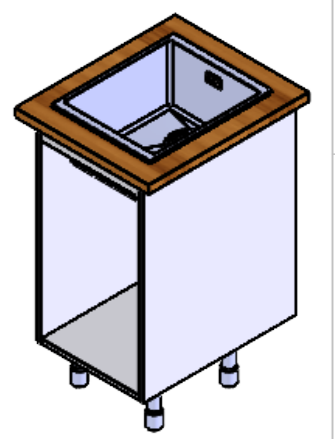
SPACE REQUIREMENTS





D (1 : 1)

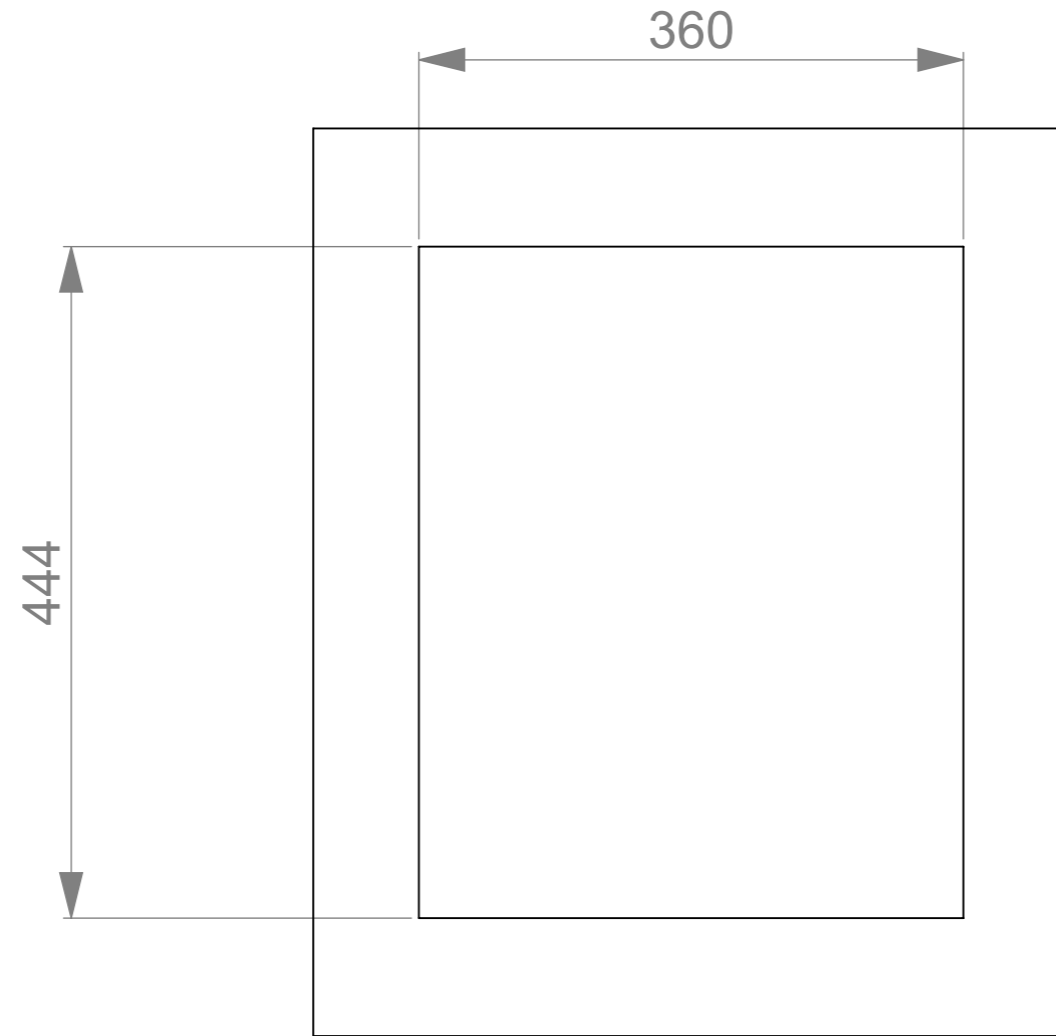


Huom!
 Tarvittaessa kaapin väliseinää ja etu/takalistaa lovetettava kiinnikkeitä varten ja pesuallas on kiinnitettävä ennen työtason asennusta.
Obs!
 Vid behov måste en inskärning för hofästena göras i skåpets mellanvägg och förbindningslist och diskbänken måste fästas innan du monterar bänkskivan.
Notice!
 The partition walls and front/back list of the cupboard must be notched for the sink mountings when needed and the sink must be fastened before installing the worktop.



	Mass	kg	General tolerance	Designed by	Date
	Size	Scale	Item	VS	27.12.2022
	A3	1:10		Approved by	Date
				VS	20.01.2023
 Member of ALVEUS	Description		Drawing number	Sheet/sheets	
	CEG-E34B		19572	3/6	
Technical Data Sheet			Rev	A	

CUT-OUT



Change description

Date

Designed by



Mass
kg

Size
A3

Scale
1:5

General tolerance

Item

Description

Designed by
VS

Approved by
VS

Drawing number

Date
27.12.2022

Date
20.01.2023

Sheet/sheets
4/6

Rev
A

STALA
Member of **ALVEUS**

CEG-E34B
Technical Data Sheet

19572

